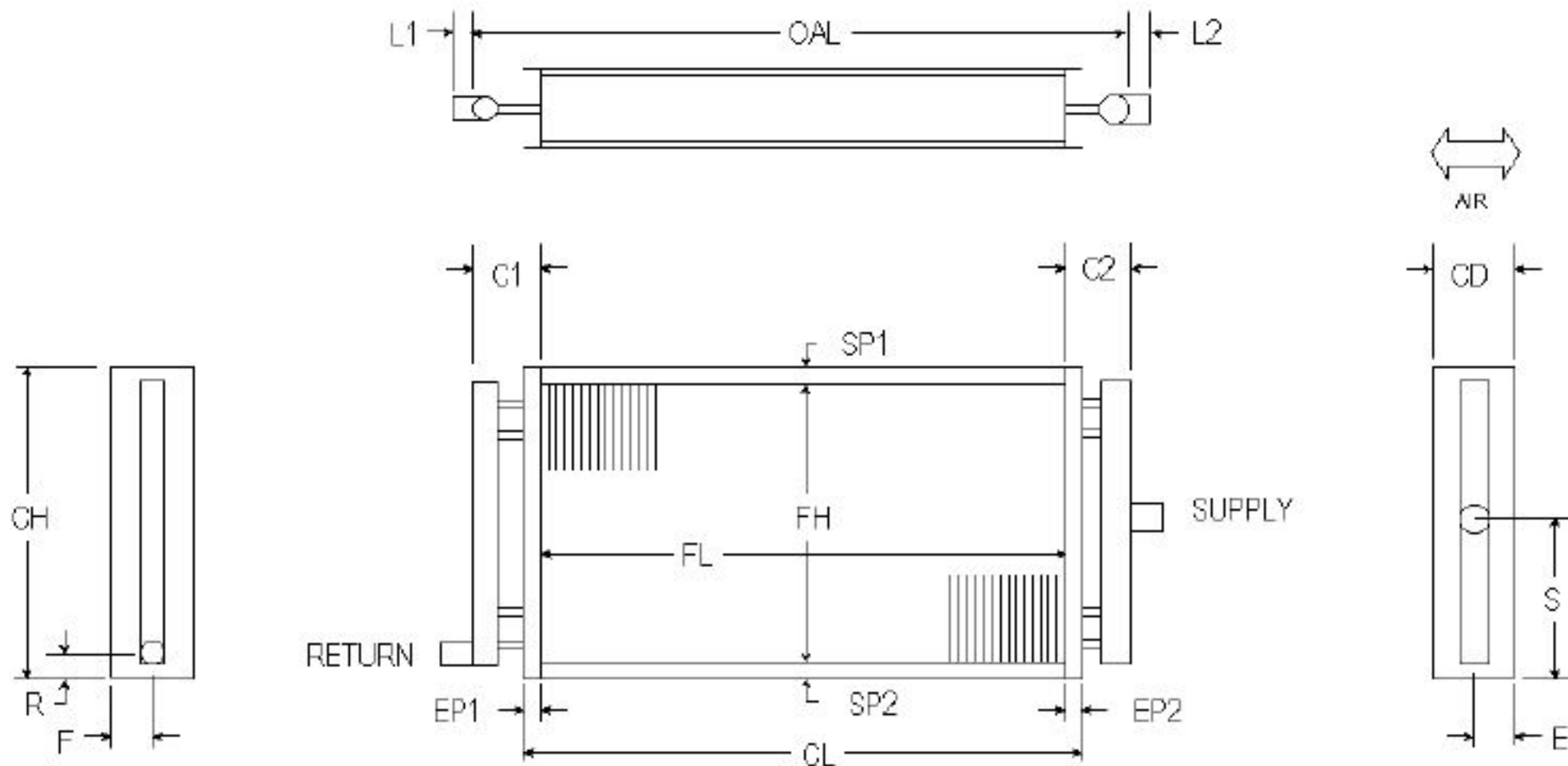


STEAM COILS OPPOSITE END



ROWS AVAILABLE	1	2
FPI AVAILABLE	6 7 8 9 10	11 12 13 14
TUBES OD & Wall Thickness COPPER ONLY	5/8	.020 .025 .035 .049
FINS Material & Thickness	ALUM.	.006 .010
	COPPER	.006
CASING	16 GA. GALV. STEEL 16 GA. STAINLESS STEEL	
HEADERS COPPER ONLY	5/8 7/8 1 1/8	1 3/8 1 5/8 2 1/8 2 5/8 3 1/8

DIMENSIONAL DATA IN INCHES

SUPPLY RETURN

CONNECTION SIZES

MPT SWEAT FPT

ITEM	QTY	ROWS	FPI	SP1	FH	SP2	CH	EP1	FL	EP2	CL	C1	C2	OAL	L1	L2	CD	S	E	R	F	SUPPLY	RETURN	CU
																								STL

P.O. #	CUSTOMER
W.O. #	MODEL NO.
APPROVED BY	TAG:
DATE	NOTES

NationWide Coils, Inc.
 24 Foxwood Circle Mt. Kisco, NY 10549
 Toll Free: 1-888-COILPRO (264-5776)
 Fax: 914.277.7402
 Email: nationwidecoils@aol.com

Performance Data	CFM	EAT	LAT	CAPACITY	STEAM PRESSURE (psig)
------------------	-----	-----	-----	----------	-----------------------