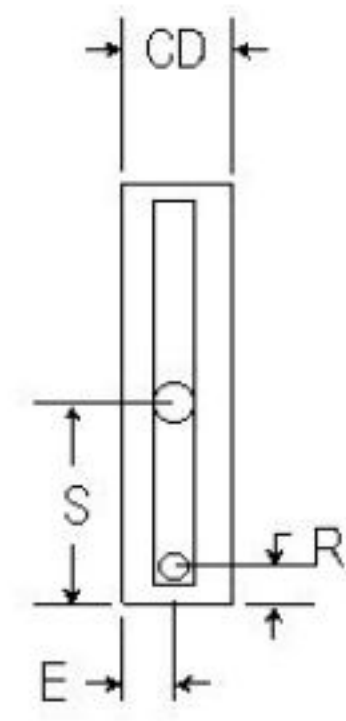
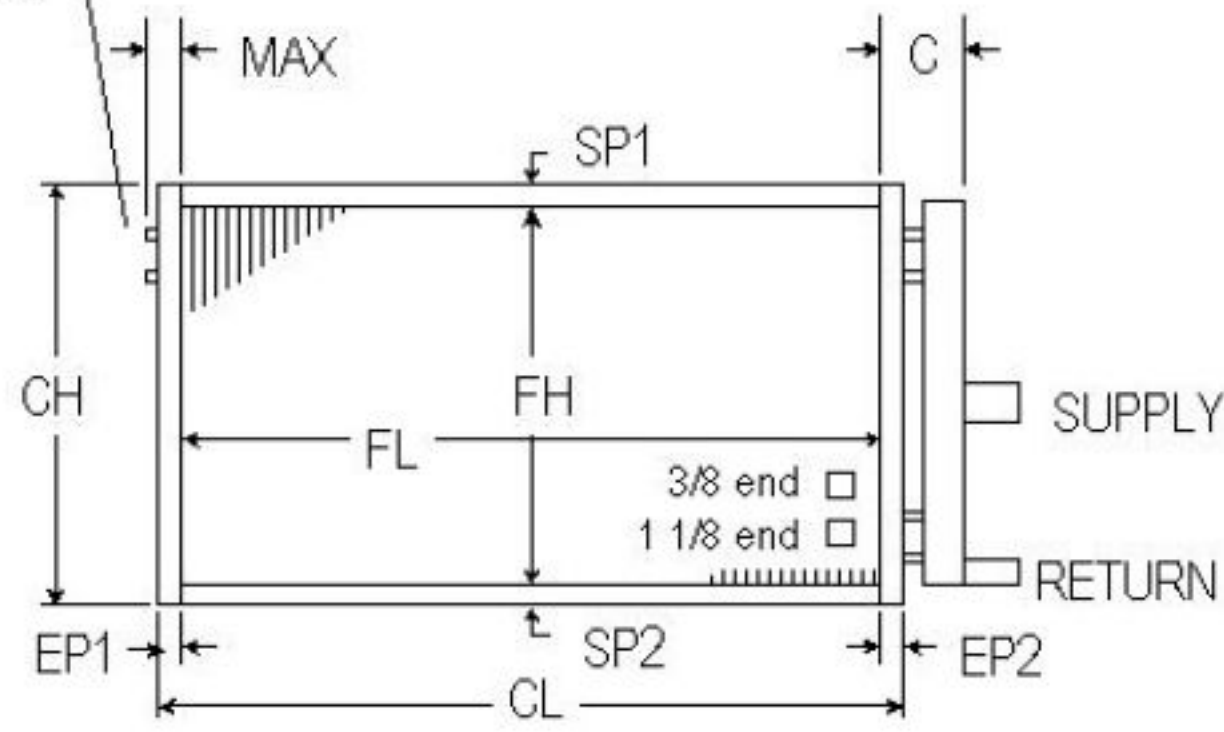


Spun Closed Ends



STEAM DISTRIBUTING

ROWS AVAILABLE	1	2
FPI AVAILABLE	6 7 8 9 10 11 12 13 14	
TUBES OD & Wall Thickness COPPER ONLY	5/8	.025 .035
FINS Material & Thickness	ALUM.	.006 .010 COPPER .006
CASING	16 GA. GALV. STEEL 16 GA. STAINLESS STEEL	
HEADERS COPPER ONLY	1 ROW	2 5/8
	2 ROW	3 1/8

DIMENSIONAL DATA IN INCHES

ITEM	QTY	ROWS	FPI	SP1	FH	SP2	CH	EP1	FL	EP2	CL	MAX	C	OAL	L	CD	S	E	R	E

CONNECTION SIZES		
□ MPT	SWEAT	FPT
SUPPLY	RETURN	CU
		STL

P.O. #											CUSTOMER										
W.O. #											MODEL NO.										
APPROVED BY											TAG:										
DATE											NOTES										

NationWide Coils, Inc
 24 Foxwood Circle Mt. Kisco, NY 10549
 Toll Free: 1-888-COILPRO (264-5776)
 Fax: 914.277.7402
 Email: nationwidecoils@aol.com

Performance Data	CFM		EAT		LAT		CAPACITY		STEAM PRESSURE (psig)	
------------------	-----	--	-----	--	-----	--	----------	--	-----------------------	--