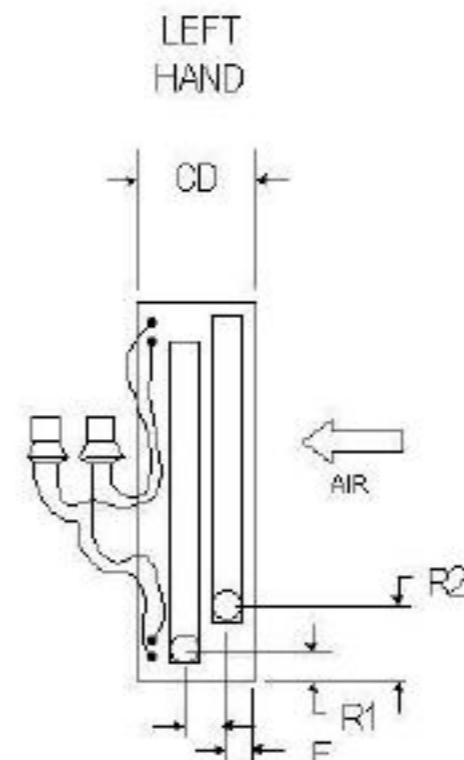
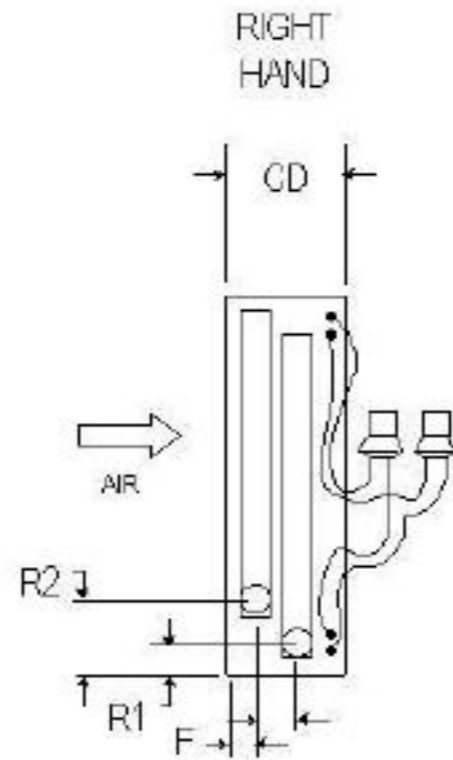
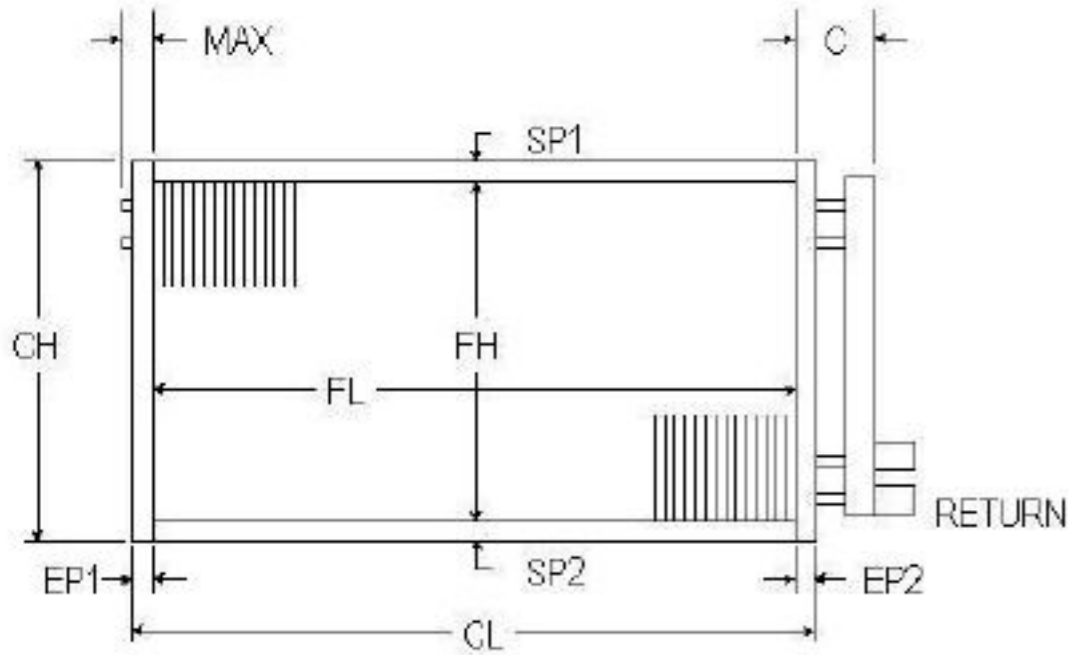
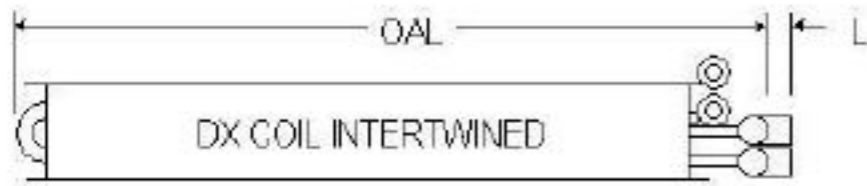


DX COILS INTERTWINED



ROWS AVAILABLE	1	2	3	4	5
	6	8	10	12	
FPI AVAILABLE	6	7	8	9	10
	11	12	13	14	
TUBES OD & Wall Thickness	5/8	.020		.025	
COPPER ONLY		.035		.049	
	1/2	.016			
FINS Material & Thickness	ALUM.	.006		.010	
	COPPER	.006			
CASING	16 GA. GALV. STEEL				
	16 GA. STAINLESS STEEL				
HEADERS COPPER ONLY	5/8	7/8	1 1/8		
	1 3/8	1 5/8	2 1/8		
	2 5/8	3 1/8			

DIMENSIONAL DATA IN INCHES

RETURN

CONNECTION SIZES SWEAT

ITEM	QTY	ROWS	FPI	SP1	FH	SP2	CH	EP1	FL	EP2	CL	MAX	C	OAL	L	CD	R	F	DISTRIBUTORS	RETURN	CU

P.O. # _____ CUSTOMER _____

W.O. # _____ MODEL NO. _____

APPROVED BY _____ TAG: _____

DATE _____ NOTES _____

Performance Data	CFM	EAT	EVAPORATOR TEMP	REFRIGERANT	CAPACITY
------------------	-----	-----	-----------------	-------------	----------



24 Foxwood Circle Mt. Kisco, NY 10549
Toll Free: 1-888-COILPRO (264-5776)
Fax: 914.277.7402
Email: nationwidecoils@aol.com