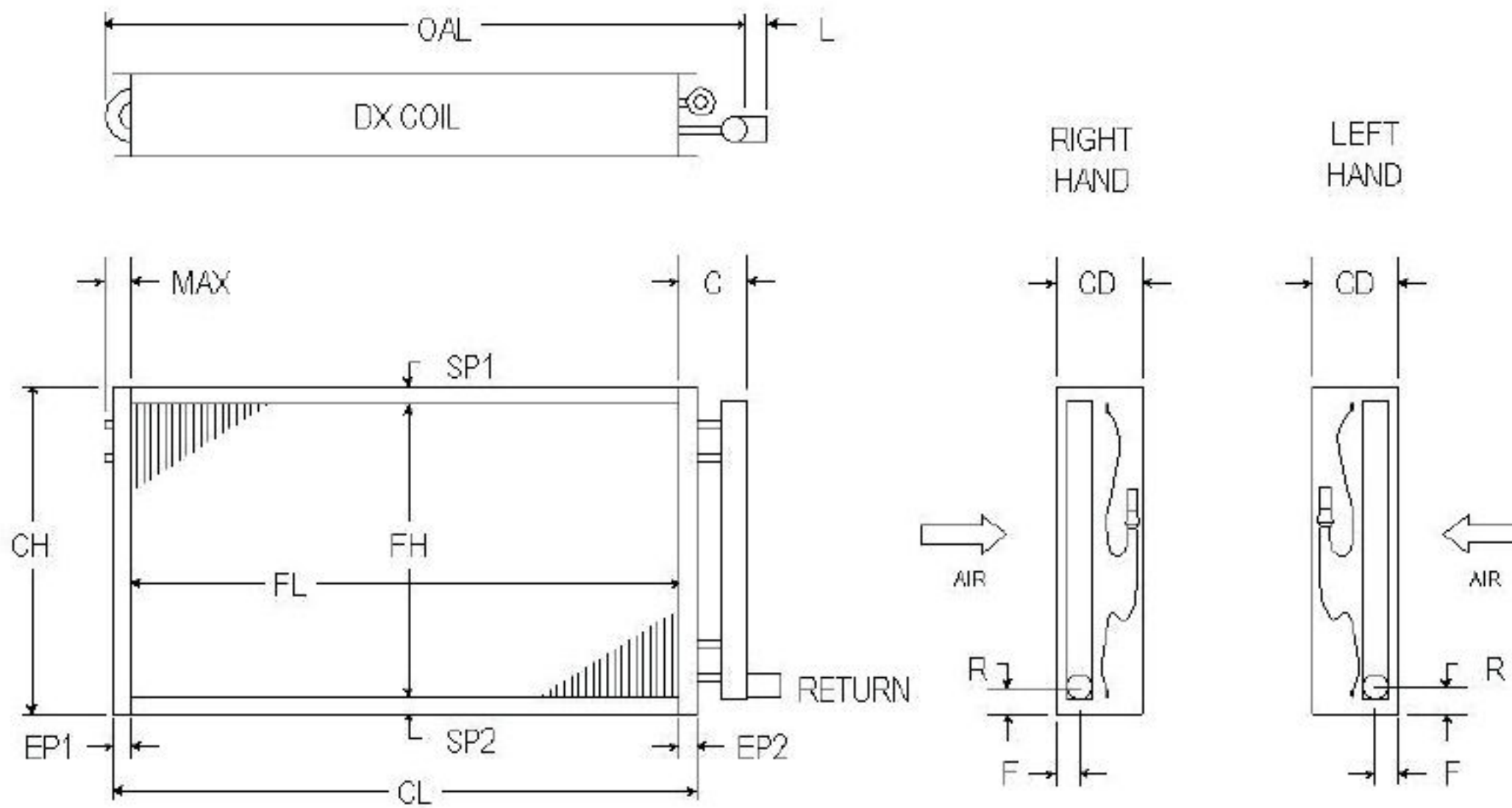


# DX COILS



ROWS AVAILABLE	1	2	3	4	5
	6	8	10	12	
FPI AVAILABLE	6	7	8	9	10
	11	12	13	14	
TUBES OD & Wall Thickness	5/8	.020	.025	.035	.049
COPPER ONLY	1/2	.016		.020	
	3/8	.016			
FINS Material & Thickness	ALUM.	.006		.010	
	COPPER	.006			
CASING	16 GA. GALV. STEEL				
	16 GA. STAINLESS STEEL				
HEADERS COPPER ONLY	5/8	7/8	1 1/8		
	1 3/8	1 5/8	2 1/8		
	2 5/8	3 1/8			

## DIMENSIONAL DATA IN INCHES

## RETURN

## CONNECTION SIZES SWEAT

ITEM	QTY	ROWS	FPI	SP1	FH	SP2	CH	EP1	FL	EP2	CL	MAX	C	OAL	L	CD	R	F	DISTRIBUTOR	RETURN	CU

P.O. #											CUSTOMER										
W.O. #											MODEL NO.										
APPROVED BY											TAG:										
DATE											NOTES										
Performance Data	CFM				EAT							EVAPORATOR TEMP					REFRIGERANT				CAPACITY

**NationWide Coils, Inc.**  
 24 Foxwood Circle Mt. Kisco, NY 10549  
 Toll Free: 1-888-COILPRO (264-5776)  
 Fax: 914.277.7402  
 Email: nationwidecoils@aol.com