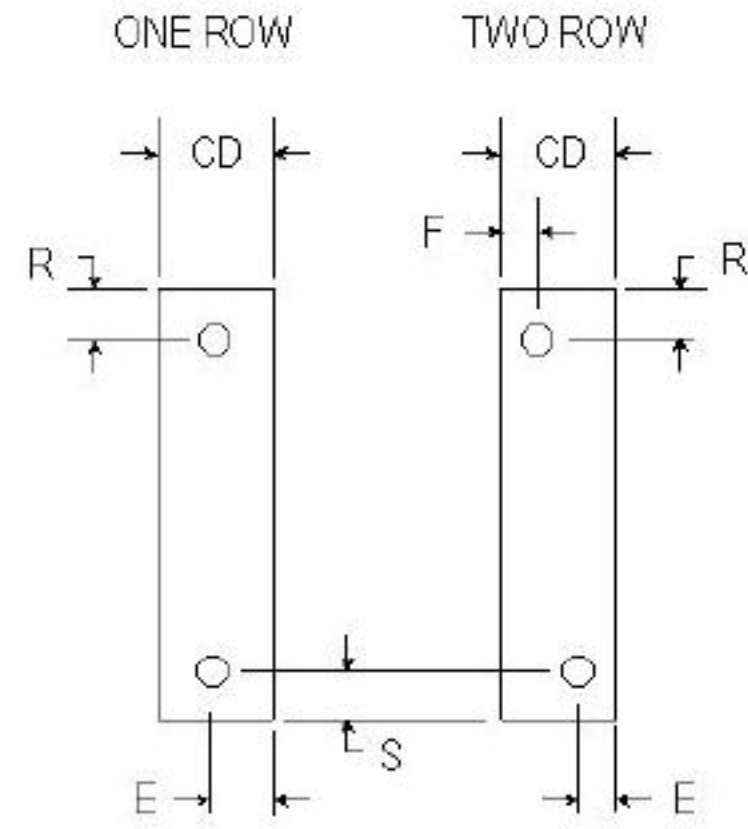
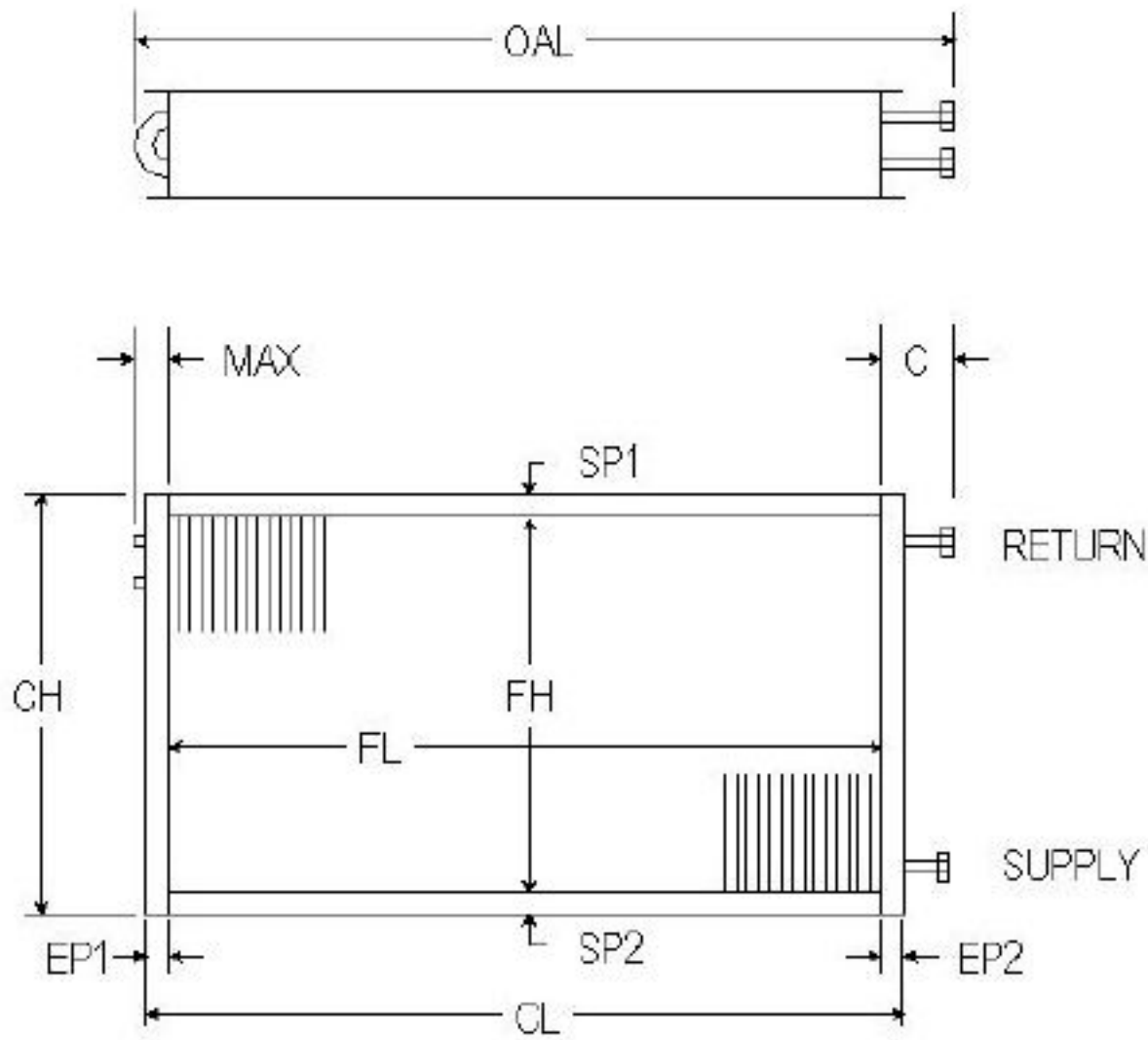


# BOOSTER COILS



ROWS AVAILABLE	1	2
FPI AVAILABLE	8	10 12
TUBES OD & Wall Thickness <i>COPPER ONLY</i>	5/8	.020
	1/2	.016
FINS Material & Thickness	ALUM.	.006 .010
	COPPER	.006
CASING	16 GA. GALV. STEEL 16 GA. STAINLESS STEEL	
MODEL NO. (Example)	W - Water 8 - 8 fpi 1 - 1 row 12 - Fin Height 24 - Fin Length N - Non Headered	

**DIMENSIONAL DATA IN INCHES**

$OAL = MAX + FL + C$

**CONNECTION SIZES**

3/4 MPT      1 MPT

ITEM	QTY	ROWS	FPI	SP1	FH	SP2	CH	EP1	FL	EP2	CL	CD	MAX	C	OAL	SUPPLY	RETURN	CU
				1		1		1		1		4	2 1/4	5				CU

P.O. #	CUSTOMER	
W.O. #	MODEL NO.	
APPROVED BY	TAG:	
DATE	NOTES	

**NationWide Coils, Inc**  
 24 Foxwood Circle Mt. Kisco, NY 10549  
 Toll Free: 1-888-COILPRO (264-5776)  
 Fax: 914.277.7402  
 Email: nationwidecoils@aol.com

Performance Data	CFM	EDB/EWB	LDB/LWB	CAPACITY	EWT	LWT	GPM
------------------	-----	---------	---------	----------	-----	-----	-----